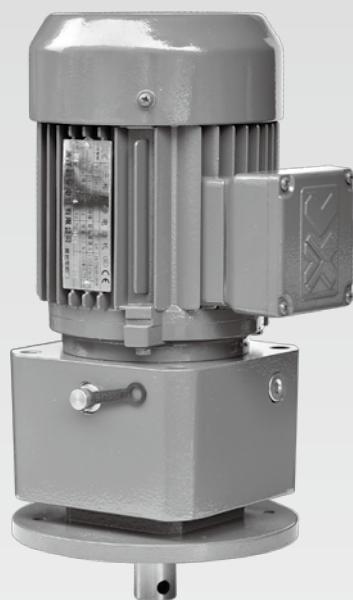
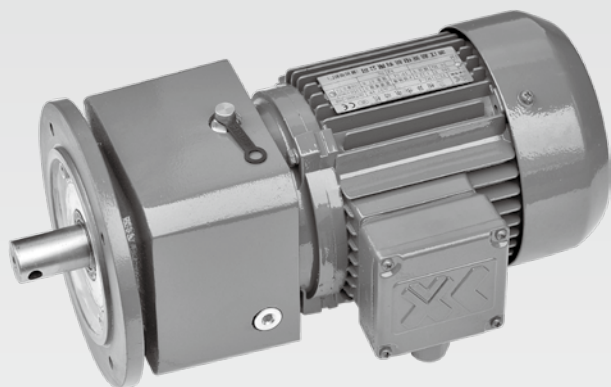


GX 系列行星齿轮减速机

GX Series of Planetary Gear Reducer



概述 | Introduction

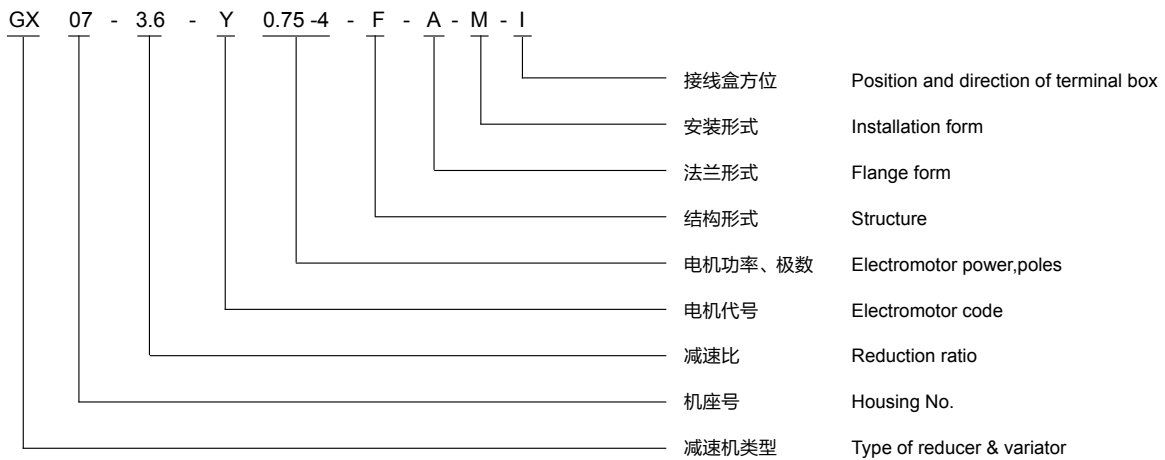
行星齿轮传动，它具有普通齿轮传动的高效，工作平稳可靠，传动精度高等特征外，由于采用了行星内啮合结构，在传递动力时有效地利用了功率分流和输入、输出的同轴性，因而与普通齿轮传动相比，具有结构紧凑、体积小、重量轻、承载能力强、传动比大等优点。正基于这些功用，行星齿轮传动正作为现代机械传动中的重要传动技术，广泛应用于工程环保、石油化工、轻工纺织、食品、制药、机床设备等行业的传动装置上。

GX 系列行星齿轮减速机是我公司新研发的产品，与普通的行星齿轮传动相比，更具有承载能力大、可靠性高、体积小。越来越得到国内外用户的广泛应用。

Planetary Gear Transmission is efficient, stable and accurate. It adopts internal meshing structure that can efficiently utilize the coaxial property provided by the power split, input and output. Compare with traditional gear transmission, Planetary Gear Transmission has compact structure and is smaller and lighter. It can withstand greater load and has higher transmission ratio. Planetary Gear Transmission, as an important transmission technology, is widely applied to the transmission devices for fields of textile, engineering environment protection, petrochemical, food, medicine and equipments, etc.

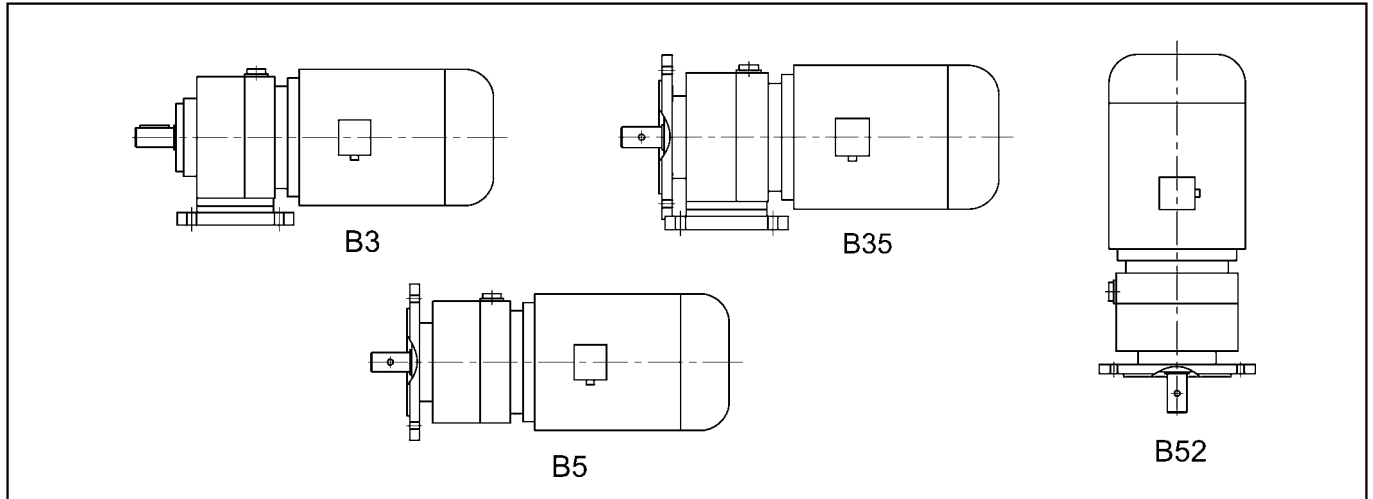
GX Planetary Gear Transmission Series is the newly developed products of our company, and the ordinary planetary gear transmission, but also has a large carrying capacity, high reliability, small size. Users at home and abroad has been more widely used.

GX 系列型号规格表示方式 | Denotation of specification & dimension of GX series



减速机类型 Type of gearbox	机座号 Housing Number	减速比 Reduction ratio	电机代号 Electromotor code	电机功率、极数 Electromotor power, poles	结构形式 Structure	法兰形式 Flange form	安装形式 Installation form	接线盒方位 Position and direction of terminal box
GX 行星 齿轮减速机 GX of planetary gear reducer	见选型 参数表 See selections Parameter list	见选型 参数表 See selections Parameter list	普通 Y ₂ Normal Y ₂	见选型 参数表 See selections Parameter list	卧式 (W 省略) Horizontal (W omitted)	圆形 (A) Round(A)	见 P27 See P27	见表 See the table
			防爆 B Explosion protection B					
			制动 E Brake E		立式 (F) Vertical (F)			
			变频 V Frequency conversion V					
			变频制动 VE Brake by frequency conversion VE		立、卧式 (FW) Vertical & Horizontal (FW)	方形 (B) Square(B)		
			多速 D Multi-speed D					
			分马力 F Fractional horsepower F					

■ GX 系列安装形式 | Installation form of GX series

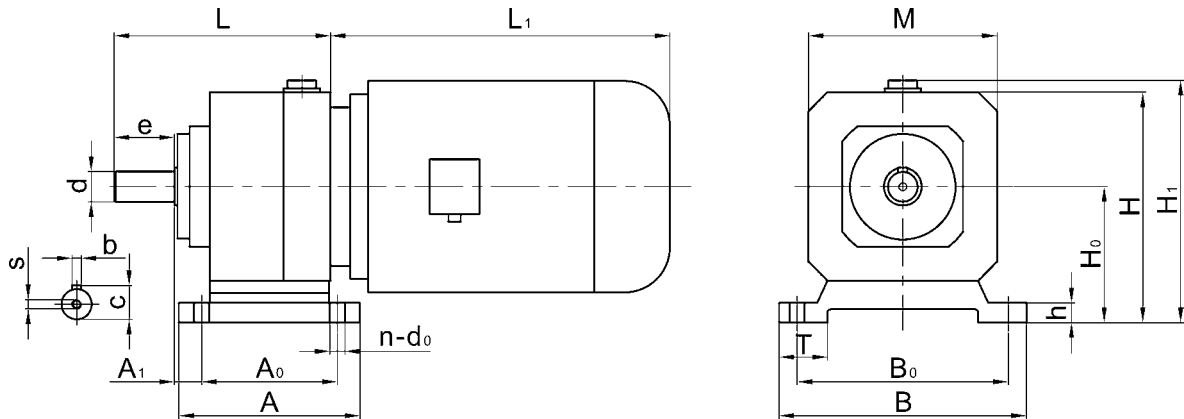


■ GX 系列选型参数表 | Parameter List Selections of GX Series

机座号 Housing No.	减速比 Reduction ratio	输出转速 (r/min) Output speed	输入功率 (kw) n=1400rpm Input power			
			0.25	0.37	0.55	0.75
			许用输出转矩 N.m Permissible output torque			
GX07	2.8	500	4.6	6.8	10.2	13.9
	3.2	438	5.3	7.8	11.6	15.9
	3.6	389	6.0	8.8	13.1	17.9
	4.36	321	7.2	10.7	15.9	21.6
	5.6	250	9.3	13.7	20.4	27.8
	7.2	195	11.9	17.6	26	35.6

机座号 Housing No.	减速比 Reduction ratio	输出转速 (r/min) Output speed	输入功率 (kw) n=1400rpm Input power		
			1.1	1.5	2.2
			许用输出转矩 N.m Permissible output torque		
GX15	2.8	500	21	28	41
	3.2	438	23	32	47
	3.4	412	25	34	50
	4.42	317	32	44	64
	5.8	242	42	57	84
	7	200	51	70	102

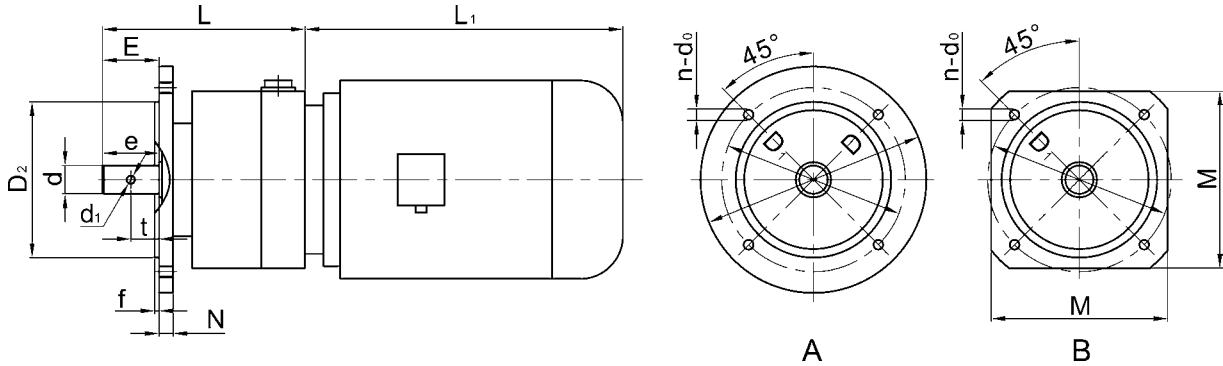
■ GX 系列外形及安装尺寸 | Overall & Installation Dimension of GX Series



机座号 Housing No.	安装尺寸 Installation dimension						输出轴尺寸 Output shaft dimension					外形尺寸 Overall dimension								
	H ₀	A ₁	A ₀	B ₀	n	d ₀	d	e	b	c	s	A	B	T	h	H	H ₁	M	L	L ₁
07	90	18	90	140	4	10	24h6	40	8	27	M8	120	164	32	13	153	161	125	144	
15	110	22	125	170	4	12	28h6	50	8	31	M10	155	210	50	16	190	198	160	236	

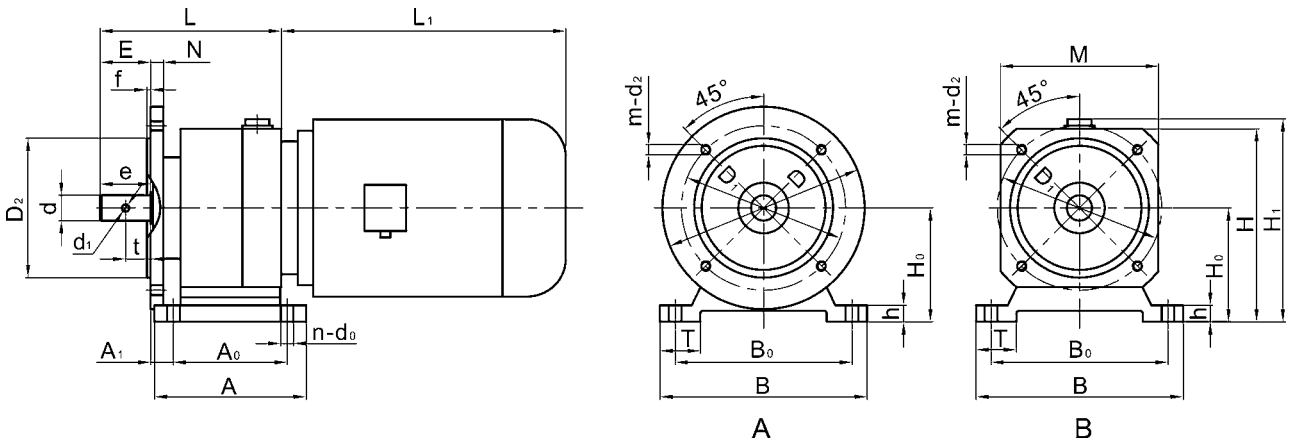
参考电机
见表 P5
See the table for
electromotor P5

GX-F 系列外形及安装尺寸 (泵专用) | Overall & Installation Dimension of GX-F Series (Specific pump)



机座号 Housing No.	安装尺寸 Installation dimension					输出轴尺寸 Output shaft dimension				外形尺寸 Overall dimension					
	D ₁	D ₂	f	n	d ₀	d	e	d ₁	t	D	E	N	M	L	L ₁
07	130	110h7	3	4	M8	19h6 24h6	40	6 8	15 32	160	40	10	125	144	参考电机 见表 P5 See the table for electromotor P5
15	130	110h7	3	4	M8	24h6	50	8	32	160	50	14	125	236	
	165	130h7	3.5	4	M10	28h6	50	10	28	200			160		

GX-FW 系列外形及安装尺寸 (泵专用) | Overall & Installation Dimension of GX-FW Series (Specific pump)



机座号 Housing No.	安装尺寸 Installation dimension											输出轴尺寸 Output shaft dimension				外形尺寸 Overall dimension											
	H ₀	A ₁	A ₀	B ₀	n	d ₀	D ₁	D ₂	f	m	d ₂	d	e	d ₁	t	A	B	T	h	D	E	M	N	H	H ₁	L	L ₁
07	90	18	90	140	4	10	130	110h7	3	4	M8	19h6 24h6	40	6 8	15 32	120	164	32	13	160	40	125	10	153	161	144	参考电机 见表 P5 See the table for electromotor P5
15	110	22	125	170	4	12	130	110h7	3	4	M8	24h6	50	8	32	155	210	50	16	160	50	125	14	190	198	236	
	165	130h7	3.5	4	M10	28h6	50	10	28	200	160	160															

**GX 系列润滑油量表
GX Series lubricants scale**

机座号 Housing No.	GX07	GX15
安装形式 Installation form	润滑油量 (升) Lubricating Oil Capacity (L)	
B3	0.1	0.3
B5	0.1	0.3
B35	0.1	0.3
B52	0.15	0.5

**GX 系列重量表 (不含电机)
GX Series Weight Table (without motor)**

机座号 Housing No.	GX07	GX15
重量 Weight (kg)	8	16
机座号 Housing No.	GX07-F	GX15-F
重量 Weight (kg)	8	13
机座号 Housing No.	GX07-FW	GX15-FW
重量 Weight (kg)	9	18