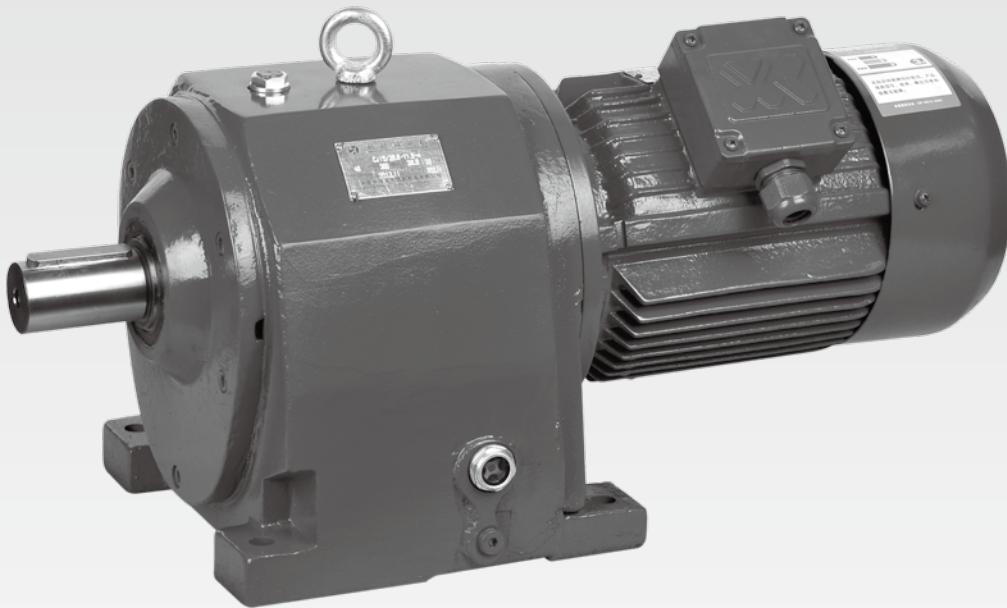


# CJ 系列齿轮减速机

CJ Series of Gear Reducer



## 概述 | Introduction

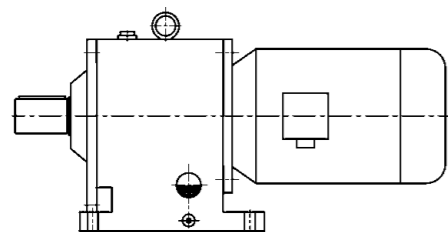
CJ 系列减速机系我公司新近创新开发的齿轮减速机新颖产品，由于传动性能可靠、结构合理、高效低噪音等特点，不仅可作为无级变速器的模块组合件，也可以作为单独传动元件。用于各种机械传动装置上，它的主要性能特点：

- 结构合理：本机输入、输出为同心，因而对中性好、结构紧凑。通用性强、可与各种变速器配套，实现低速无级传动；
- 承载能力强：本机所有齿轮、轴类，传动零部件都经过严格处理，精密加工和研磨，齿轮采用硬齿面结构，承载能力强，运转平稳，使用寿命长；
- 减速比大：可满足不同转速要求的各种场合；
- 维护保养、操作使用简单方便、外观美观、重量轻。

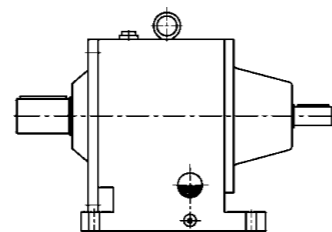
CJ serie gear reducer is a new type gear reducer developed by our company, It is featured by reliable transmission, reasonable structure, high efficiency and low noise. It can be used either as the module unit of stepless speed variator or as an independent transmission unit. CJ serie gear reducer is now widely used in the transmission equipments in fields of chemical engineering, foodstuff, pharmacy, engineering, plastic, printing and electron. Its main characteristics are as follows:

- Reasonable structure: the input and output of the machine are concentric, which leads to good alignment and compact structure. It can be widely used, and can be assorted with variator to achieve the low speed stepless transmission.
- High carrying capacity: all gears, axis and transmission parts in the machine are under strict treatment, precise machining and grinding. The gears adopt hard surface structure, which guarantees high carrying capacity, smooth transmission and long service life.
- High reduce rate: It can meet the demand for different speed in different occasions.
- It is easy and convenient in maintenance and usage, beautiful in appearance and light in weight.

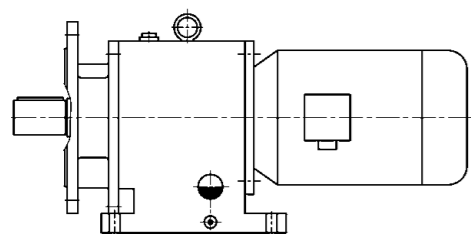
## CJ(CF) 系列减速机设计方案 | Design of CJ(CF) Series



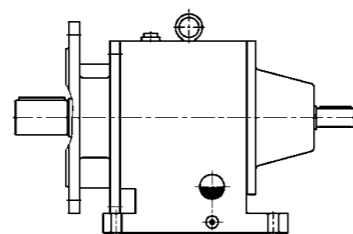
CJ...Y...  
轴伸式底脚安装斜齿轮减速机  
Shaft extended & base-mounted  
assembled helical gear reducer



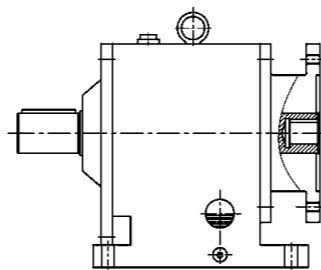
CJS...  
轴伸式底脚安装，轴输入斜齿轮减速机  
Shaft extended & base-mounted  
assembled helical gear reducer with input axis



CJF...Y...  
轴伸法兰式安装斜齿轮减速机  
Shaft extended & flange-mounted  
helical gear reducer



CJFS...  
轴伸法兰式安装，轴输入斜齿轮减速机  
Shaft extended & flange-mounted helical gear  
reducer with input axis



CJ(CJF)...  
电机用户自配、配特殊电机或  
大减速比时需加联接法兰  
Connecting flanges shall be equipped  
when special electromotor or high  
reduction ratio is applied.

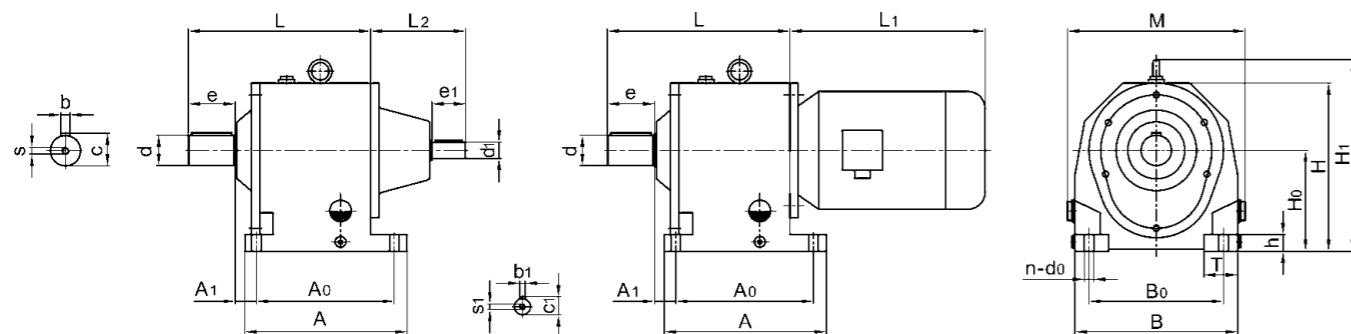
## CJ(CF) 系列选型 | Options of CJ(CF) Series

使用条件及选型结果      使用条件○      选型结果●  
Conditions and results      Condition ○      Result ●

○ 负荷容量 (被驱动设备输入功率或输入转矩) Load capacity (Input power or input torque of the driven equipment)	P=0.75KW	
○ 电源电压 / Voltage	380V	
○ 电源频率 / Frequency	50Hz	
○ 要求转速 / Speed required	20r/min	
○ 负荷性质及运转时间 / Load pattern and operation time ● 确认使用系数 / Confirmation of usage coefficient ○ 启动次数 / Number of startups ● 确认启动系数 / Confirmation of startup coefficient ○ 可靠度 / Reliability ● 确认可靠度系数 / Confirmation of reliability coefficient ● 确认运行系数 / Confirmation of performance coefficient	均匀负荷, 14 小时 / 天 K <sub>A</sub> =1.25 查表 P2 启动次数: 5 次 / 小时 K <sub>S</sub> =1 查表 P4 可靠度: 一般 K <sub>R</sub> =1 查表 P4 K=K <sub>A</sub> * K <sub>S</sub> * K <sub>R</sub> =1.25	Uniform load, 14 hours/day K <sub>A</sub> =1.25 check the table P2 Number of startups: 5 times/hour K <sub>S</sub> =1 check the table P4 Reliability: normal K <sub>R</sub> =1 check the table P4
○ 安装形式 / Type of installation ● 确认安装形式 / Confirmation of installation type	轴伸式底脚安装 B3 查表 P127	Shaft extended & base-mounted B3 check the table P127
○ 承载能力计算 / Calculation of bearing capacity ● 确认机型 / Confirmation of machine	M <sub>S2</sub> =9550*P/ N <sub>2</sub> =358.13N.m M <sub>2</sub> ≥ M <sub>S2</sub> * K=447.7N.m 根据 N <sub>2</sub> 及 M <sub>2</sub> 查表 P124 得: CJ15/72-Y1.1-4 Based on N <sub>2</sub> and M <sub>2</sub> & table P124: CJ15/72-Y1.1-4	
○ 环境条件 / Environmental condition ● 确认环境条件 / Confirmation of environmental condition	室内、环境温度 28℃ OK	Inside, ambient temperature 28℃
○ 电机规格 / Electromotor specification ● 确认电机规格 / Confirmation of electromotor specification	1.1-4、380V、50Hz 无制动器、室内型 / Without brake, for inside OK	
● 结束选型 / End of selection	CJ15/72-Y1.1-4-B3、380V、50Hz 无制动器、室内型 / Without brake, for inside	

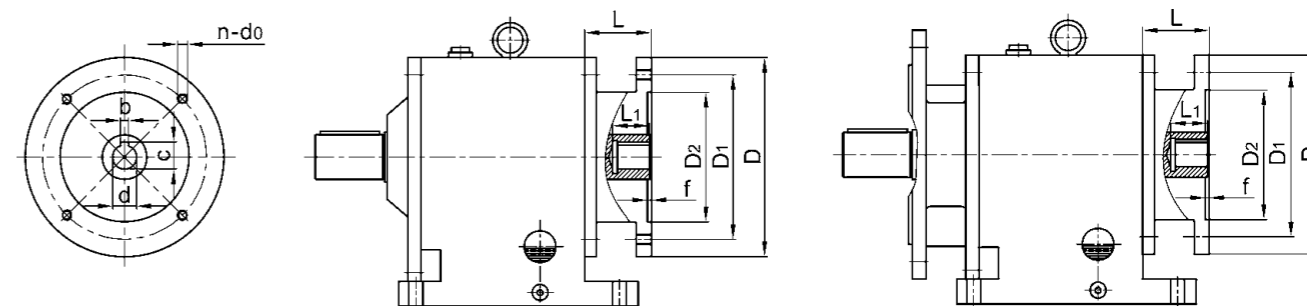


■ CJ 系列外形及安装尺寸 | Overall & Installation Dimension of CJ Series



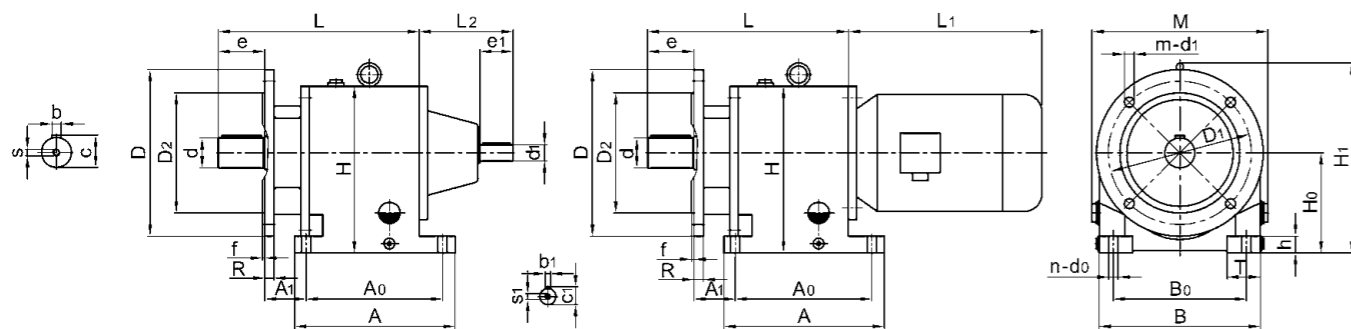
机座号 Housing No.	安装尺寸 (W) Installation dimension (W)						输出轴尺寸 Output shaft dimension					输入轴尺寸 Input shaft dimension					外形尺寸 Overall dimension										
	H <sub>0</sub>	A <sub>1</sub>	A <sub>0</sub>	B <sub>0</sub>	n	d <sub>0</sub>	d	e	b	c	s	d <sub>1</sub>	e <sub>1</sub>	b <sub>1</sub>	c <sub>1</sub>	s <sub>1</sub>	A	B	T	h	M	H	H <sub>1</sub>	L	L <sub>2</sub>	L <sub>1</sub>	
04	90	20	160	130	4	10	25js6	50	8	28	M8	19js6	40	6	21.5	M6	184	160	35	16	170	165	200	215	120	See the table for electronmotor P5 参考电机见表 P5	
07	120	40	160	170	4	12	30js6	60	8	33	M8	19js6	40	6	21.5	M6	190	200	40	20	220	210	253	240	130		
15	150	32	205	200	4	14	40k6	70	12	43	M10	24js6	50	8	27	M8	241	242	50	25	262	250	293	290	140		
40	180	30	270	230	4	18	50k6	90	14	53.5	M12	28js6	60	8	31	M8	316	300	65	30	320	305	350	367	180		

■ CJ(CJF) 系列输入联接法兰尺寸  
Input Dimension of Flange Connected with CJ(CJF) Series



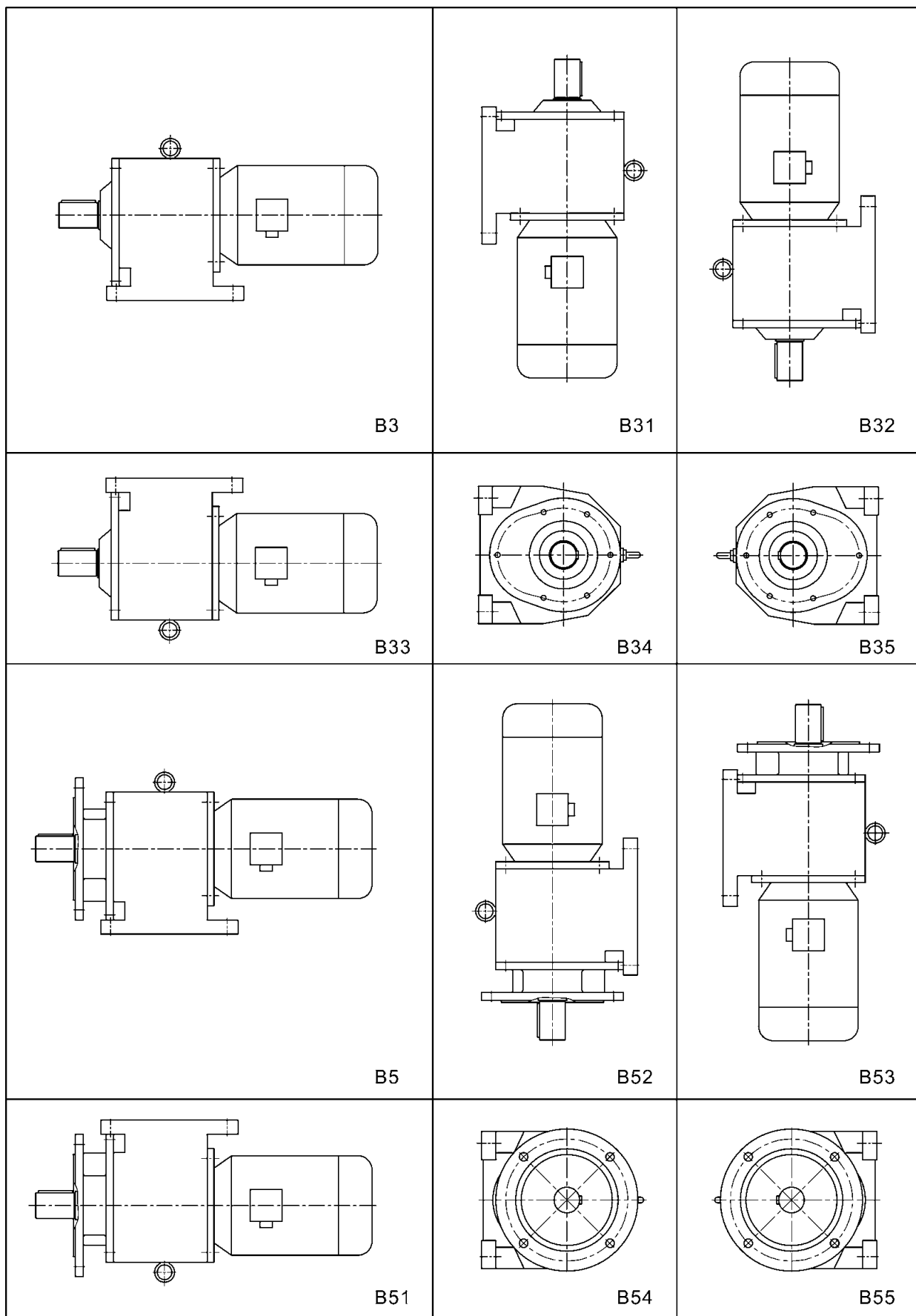
机座号 Housing No.	D	D <sub>1</sub>	D <sub>2</sub>	f	L	d	b	c	n	d <sub>0</sub>	L <sub>1</sub>
04	140	115	95H7	4	57	11F8	4	12.8	4	M8	26
	160	130	110H7	4	57	14F8	5	16.3	4	M8	33
	200	165	130H7	4	57	19F8	6	21.8	4	M10	43
07	160	130	110H7	4	57	14F8	5	16.3	4	M8	33
	200	165	130H7	4	57	19F8	6	21.8	4	M10	43
	250	215	180H7	5	70	28F8	8	31.3	4	M12	63
15	200	165	130H7	4	67	19F8	6	21.8	4	M10	43
	250	215	180H7	5	70	28F8	8	31.3	4	M12	63
	300	265	230H7	5	100	38F8	10	41.3	4	M12	83
40	200	165	130H7	4	67	24F8	8	27.3	4	M10	53
	250	215	180H7	5	70	28F8	8	31.3	4	M12	63
	300	265	230H7	5	100	38F8	10	41.3	4	M12	83
	350	300	250H7	5	140	42F8	12	45.3	4	M16	115

■ CJF 系列外形及安装尺寸 | Overall & Installation Dimension of CJF Series



机座号 Housing No.	安装尺寸 (W) Installation dimension (W)						输出轴尺寸 Output shaft dimension					输入轴尺寸 Input shaft dimension					外形尺寸 Overall dimension																	
	H <sub>0</sub>	A <sub>1</sub>	A <sub>0</sub>	B <sub>0</sub>	n	d <sub>0</sub>	D <sub>2</sub>	D <sub>1</sub>	f	m	d <sub>1</sub>	d	e	b	c	s	d <sub>1</sub>	e <sub>1</sub>	b <sub>1</sub>	c <sub>1</sub>	s <sub>1</sub>	A	B	T	D	R	h	M	H	H <sub>1</sub>	L	L <sub>2</sub>	L <sub>1</sub>	
04	90	38	160	130	4	10	110h7	130	3	4	10	25js6	50	8	28	M8	19js6	40	6	21.5	M6	184	160	35	160	12	16	170	165	200	233	120	See the table for electronmotor P5 参考电机见表 P5	
07	120	60	160	170	4	12	130h7	165	3.5	4	12	30js6	60	8	33	M8	19js6	40	6	21.5	M6	190	200	40	200	14	20	220	210	253	261	130		
15	150	62	205	200	4	14	180h7	215	3.5	4	15	40k6	70	12	43	M10	24js6	50	8	27	M8	241	242	50	250	15	25	262	250	293	320	140		
40	180	55	270	230	4	18	230h7	265	5	4	15	50k6	90	14	53.5	M12	28js6	60	8	31	M8	316	300	65	300	20	30	320	305	350	392	180		

■ CJ(CJF) 系列安装形式 | Installation Type of CJ(CJF) Series



CJ